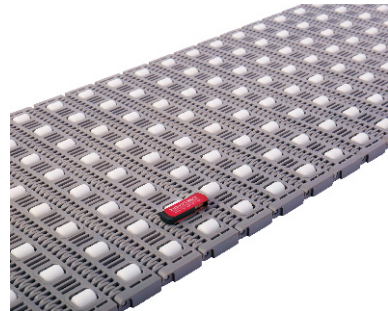
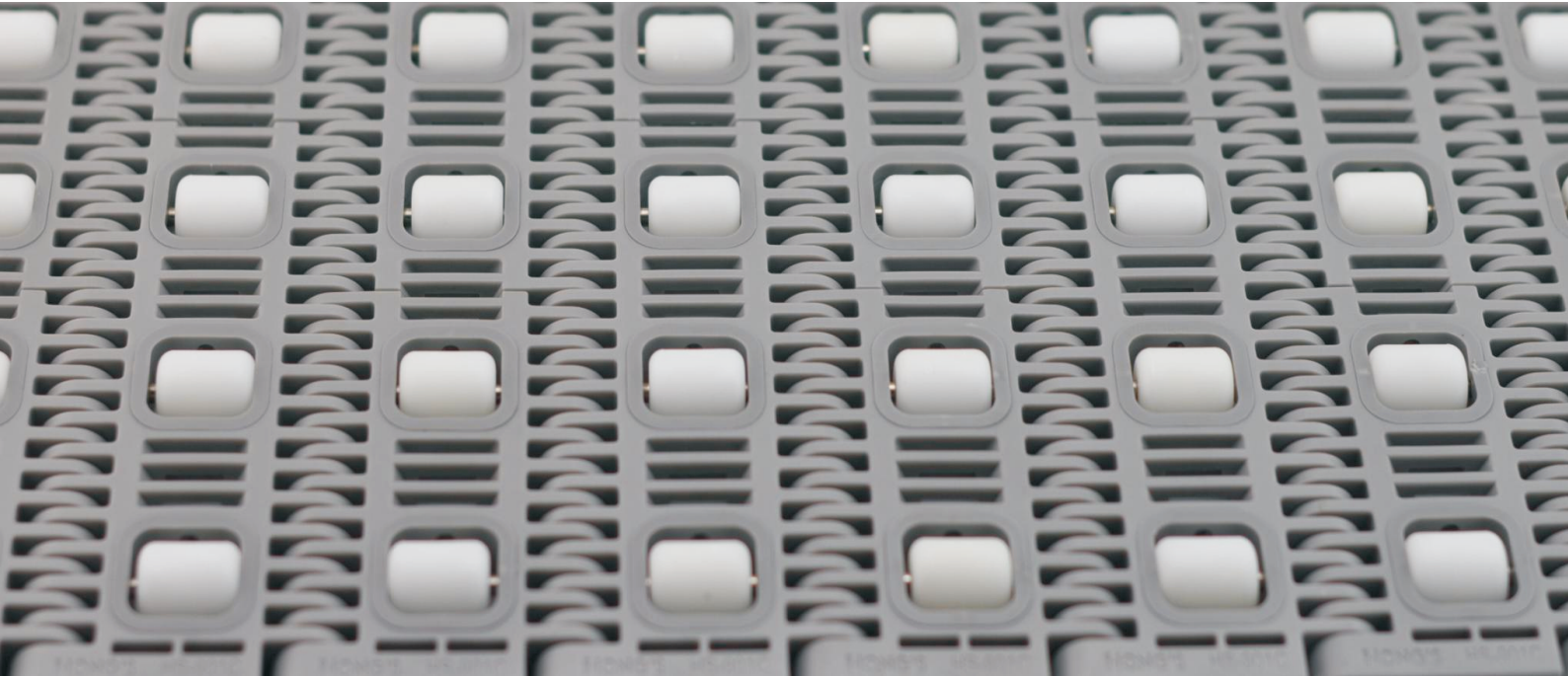


HS-3900C Technical Data Sheet



| | |
|---|--|
| Pitch: 50.8mm Minimum Width: 254mm Open Area: 14% Approved: FDA Rod: Ø 5.8mm Flight: No Side Guard: No Curved: No Roller Direction: 0°, 90° | |
|---|--|

Data

| Belt Material | Belt Strength | | | Temperature | | Belt Weight (Kg/M ²) |
|---------------|---------------|---------|-------|-------------|-----------|-------------------------------------|
| | Straight | | Curve | °C (min.) | °C (max.) | |
| | Kg/M(BW) | N/M(BW) | | | | |
| Polypropylene | 3500 | 35000 | -- | 1 | 100 | 10.7 |
| Polyethylene | 2600 | 26000 | -- | - 60 | 60 | -- |
| Acetal | 4760 | 47600 | -- | - 40 | 80 | -- |

BW – Belt Width

Color Table

| Polypropylene | | | | | Polyethylene | | | | | Acetal | | | | |
|---------------|---|---|----|---|--------------|---|---|----|---|--------|---|---|----|---|
| W | G | N | DB | B | W | G | N | DB | B | W | G | N | DB | B |
| ● | ● | | | | | | ● | | | ● | | | ● | ● |

W-White, G-Gray, N-Nature, DB-Dark brown, B-Blue

Friction Table

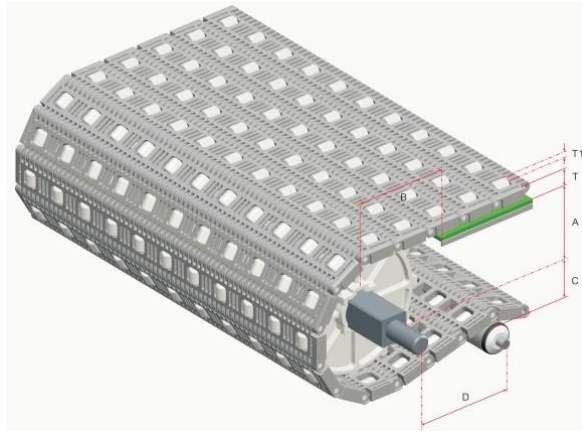
| Belt Material | Friction Wear strips & Products | | | | | | | |
|---------------|---------------------------------|------|-------|-------|------|---------|-----------|----------|
| | UHMW | HDPE | Steel | Glass | SUS | Plastic | Cardboard | Aluminum |
| Polypropylene | 0.32 | 0.24 | 0.15 | 0.09 | 0.13 | 0.08 | 0.15 | 0.25 |
| Polyethylene | 0.13 | 0.11 | 0.26 | 0.19 | 0.31 | 0.16 | 0.21 | 0.41 |
| Acetal | 0.11 | 0.09 | 0.27 | 0.16 | 0.26 | 0.15 | 0.19 | 0.28 |

SUS – Stainless Steel

Equivalent type with other Brand

| Brand Name | Intralox | UNI | Rexnord | MCC | Habasit | KVP |
|---------------|----------|-----|---------|------|---------|-----|
| Series & Type | 200 | DPB | 2000 | 2000 | M5000 | 620 |
| | 400 | SNB | 2010 | | M5100 | |
| | 800/850 | MPB | 6390 | | | |

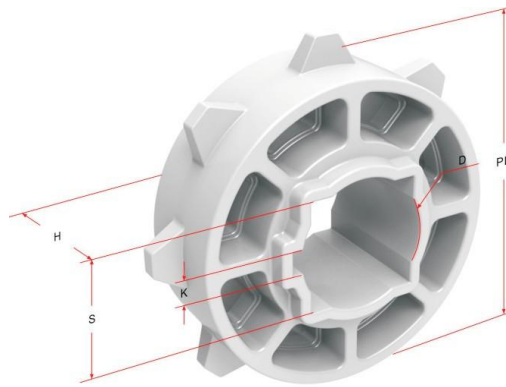
The above content is only for reference.



Conveyor Frame Dimensions

Unit : mm

| No. Teeth | A (Min.) | B (Min.) | C (Max.) | D (Min.) | T | T1 |
|-------------|-----------|-----------|-----------|-----------|----|----|
| 6 | 37.5 | 55.5 | 33.5 | 200 | 16 | 4 |
| 8 / 8-Split | 56.5 | 74.5 | 52.5 | 250 | | |
| 10 | 72 | 90 | 68 | 250 | | |
| 12 | 90 | 108 | 86 | 300 | | |
| 13 | 100.2 | 118.2 | 96.2 | 300 | | |
| 16 | 121.75 | 139.75 | 117.75 | 300 | | |
| 17 | 130 | 148 | 126 | 300 | | |



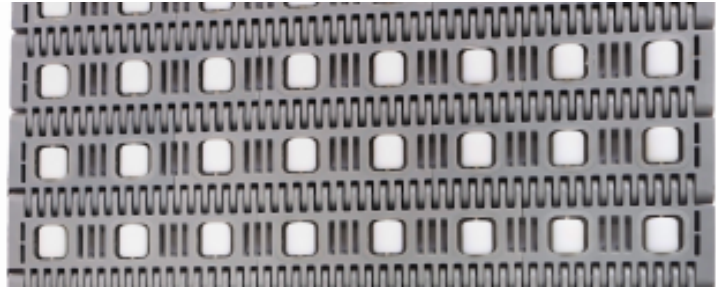
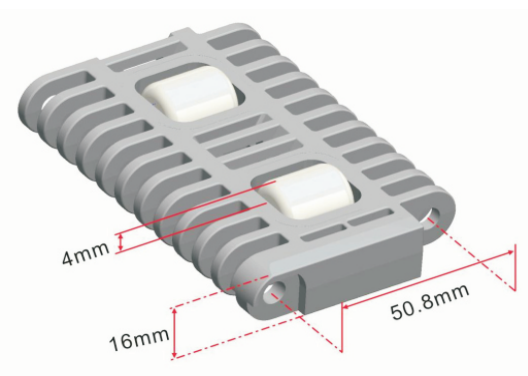
Sprocket Dimensions

Unit: mm

| No. Teeth | PD | S | D | H | K |
|-----------|-------|-------------------------------|------|------|------|
| 6 | 91 | 38.5 | -- | 38 | -- |
| 8 | 129 | 35.5/40.5 | -- | 38 | -- |
| 8-Split | 129 | 38.5/40.5 | -- | 38 | -- |
| 10 | 160 | 38.2/40.2/40.5/50.2/60.2/70.5 | 47.5 | 38 | 8×8 |
| 12 | 196 | 38.5/40.5/50.5/60.5/63.5/70.5 | 40 | 38 | 12×8 |
| 13 | 216.4 | 60.2 | -- | 38 | -- |
| 16 | 259.5 | 60.5/80.5/90.5 | -- | 49 | --- |
| 17 | 276 | 120 | -- | 48.5 | -- |

Two adjustable roller directions of modular belt HS-3900C : 0° and 90° , see pictures as follows:

1) Roller Direction: 90°



2) Roller Direction: 0°

